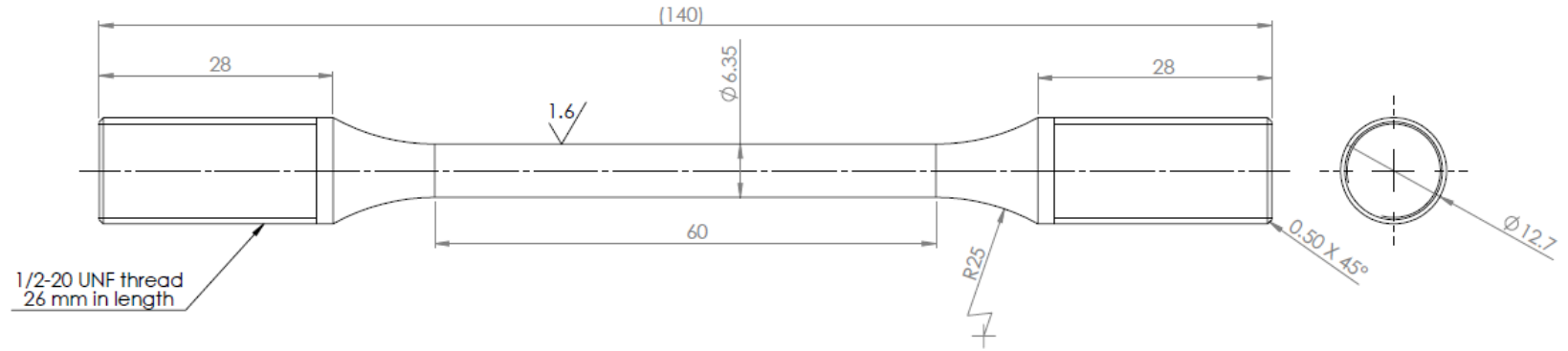
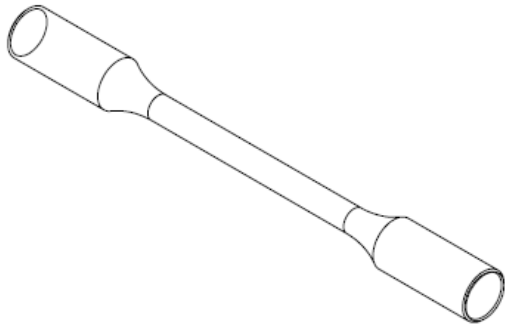
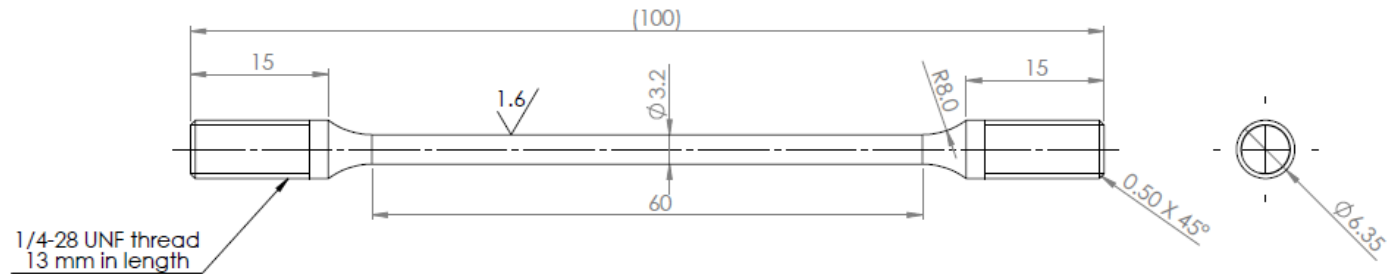
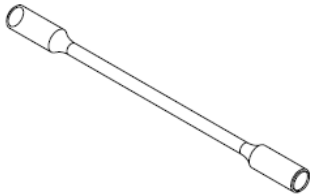


Tension Bar (High Temperature)

- TBar-6.35mm-HT



- TBar-3.2mm-HT



Units in mm except for the imperial thread