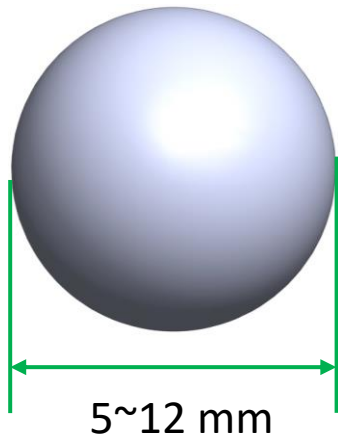
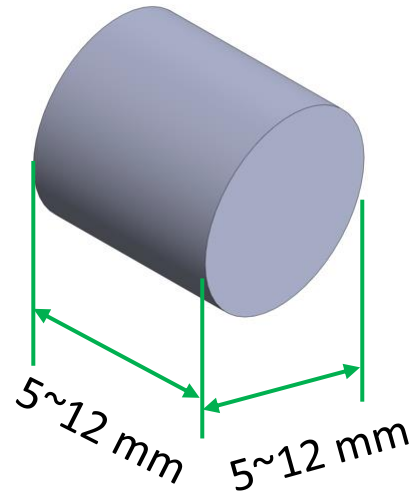


Texture Ball, Rod & Cube (Room Temperature Only)

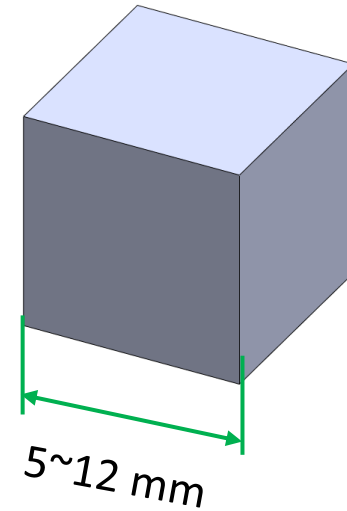
- **TexBall**



- **TexRod**



- **TexCube**



For strong neutron absorbing samples (e.g. containing a large fraction of B, Gd, etc), small TexBall samples are recommended.