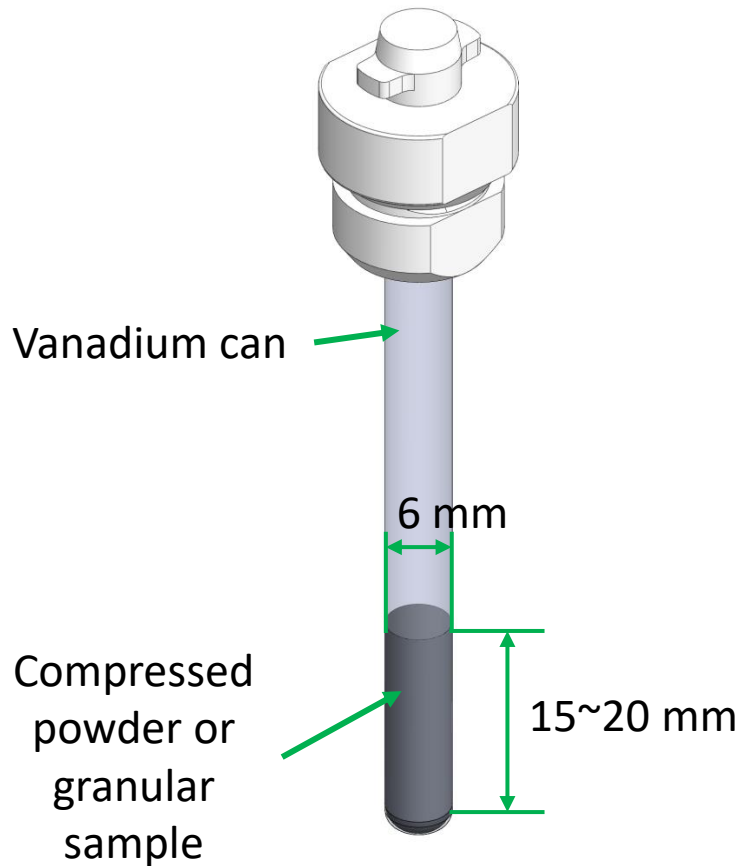


d0 Measurement (Room Temperature Only)

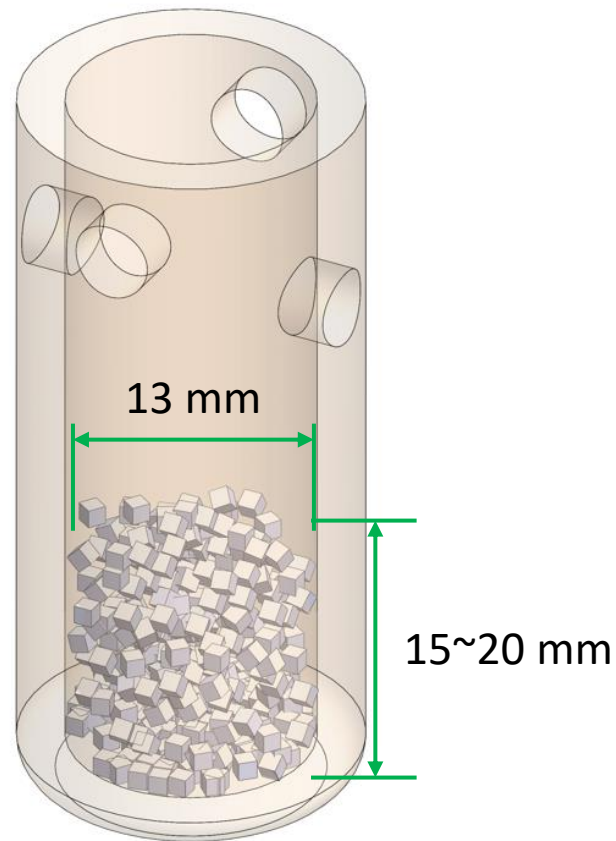
- **d0-Powder**

- Ground powders



- **d0-Cube**

- Small cubes (1~2 mm³)



- **d0-Comb**

- Matrix of 3 x 3 x 3 mm³ units with cutting gap included

